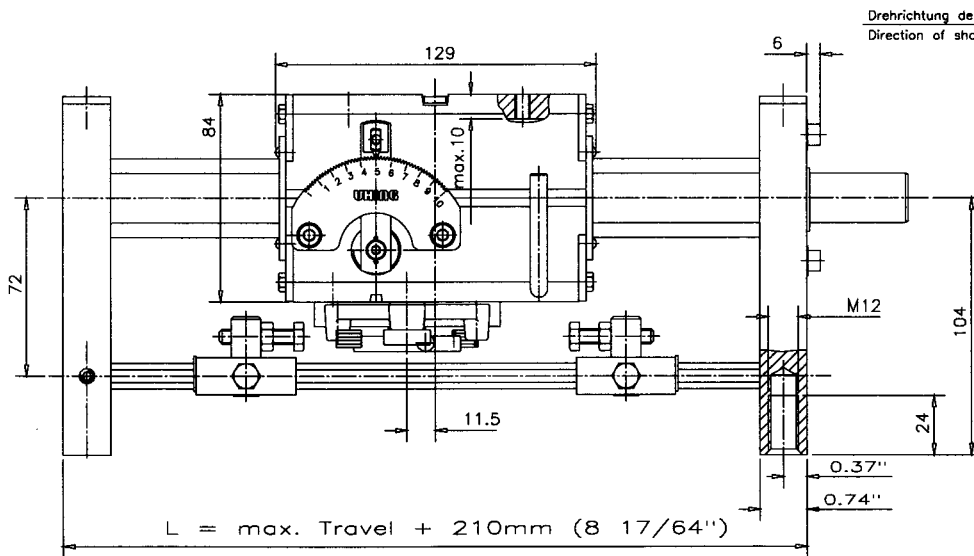


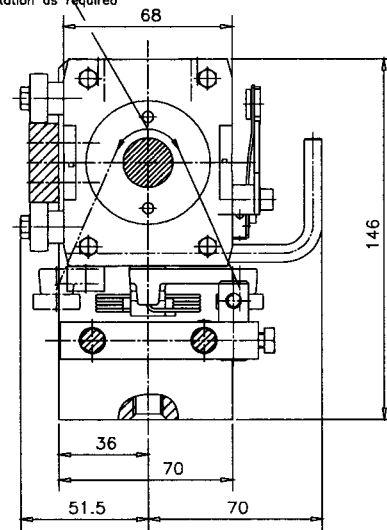
Wellenstumpf rechts oder links nach Bedarf
 Shaft extension available on left or right hand side as required

Laenge nach Bedarf
 Length as required

Aenderung vorbehalten
 Subject change without notice



Drehrichtung der Welle nach Bedarf
 Direction of shaft rotation as required



TOLERANCES UNLESS OTHERWISE SPECIFIED
 ANGLES ±
 DECIMALS .XX ±
 DECIMALS .XXX ±
 SURFACE ROUGHNESS UNLESS NOTED: RMS MAX.
 BREAK ALL SHARP EDGES

TITLE: ARG4-20-2MCRF

BY: BMJ	DATE: 1/17 2007	REV.	DESCRIPTION	DATE	BY
CHECKED:	DATE:				
USED ON:					



AMACOIL, INC.
 2100 Bridgewater Road
 Aston, PA 19104

SIZE A	DWG NO. 52420200	REV
SCALE	SHEET 1 of 1	